

OPENPARK TECHNOLOGIES

OpenPark Gateway



CASHLESS

Hustle free entry and exit, no congestions, no cash problems, no consumables, e-bill is sent as SMS or Push notification to OpenPark mobile app

MOBILE

Mobile registration with e-payments, or admin authorisation for private access or ticket sales

FACILITY TYPES



Parking

Parking access control and revenue management



Venues

Event management and ticket sales



Commercial buildings

Employee cards for parking, elevator and room access



Residential buildings

Parking and home access using same system

TRANSPARENCY

Facility managers and facility managers can grant access and monitor all access events for vehicles and pedestrians all over different facility gates

IOT COMPLIANT

All OpenPark smart devices can communicate directly through MQTT protocol to any industry standard IOT platform or City Operation Center

Here is the reason why
WHY CHOOSE US



OpenPark solution is developed from the ground up for modern smart city architecture taking in consideration the latest technologies for seamless mobility integration



OPENPARK GATEWAY

OpenPark Industrial Gate Controller/
Gateway with Intel® Core™ i7-8565U
Processor / Lockable DC Connector/ 2 x
HDMI / 2 x LAN Ports

PARKING FEATURES

- Automated vehicle entry of cars with registered license plates or using RFID tag whether short range or long range.
- Automatic gate control with option to manually open gate from the controller web interface.
- Full auditing trail of all vehicles; keeping records of entry and exit times of each vehicle or person, storing all incoming/outgoing event images, plate numbers, tag reads, and time stamps, keeping records of traffic, and each payment made.
- Blacklisted vehicle alarm, warning when an unwanted car appears at the gate.
- User and administrator access rights.
- Unlimited number of gates can be managed from one central server over TCP/IP
- Multi-language Graphical User Interface (GUI) in a customizable layout.
- ANPR engine supports all EU countries and Middle East Arabic plates with on-going support and continuous updates.
- Open integration for any third-party software or management system through REST API, OPC UA and MQTT protocols.

TICKETING FEATURES

- Online portal for event registration and ticket sales that can be customised by end user according to event name, ticket prices, and includes direct selling and generation of QR code ticket to use at entry gates for parking and turnstiles.
- Ticket confirmation emails and optional SMS integration
- Cashier interface support different payment types including cash, credit card and e-wallets using different accessories.
- Integration with third party systems including ERP, CRM, and Access control systems through industry standard OPC server interface and open web API and MQTT.
- Membership ID cards can be registered on the admin interface and can be based on RFID cards or QR codes

PARKING FUNCTION LIST

- Automated gate control: number plate is read when a vehicle arrives to the checkpoint number plate matched with internal database or any open interface external access control server.
- In case of using barcode or RFID an entry station is used and snapshot triggering is driven by entry station.
- Time based parking fee calculation when a vehicle leaves the area or as a flat rate tolling.
- Membership can be provided through RFID cards or printed barcode tickets with multiple access.
- Driver Face detection.
- Unlimited gates can be connected to one central Open Park server.
- Different user privileges can be set admin, operator, collector
- Interface language: Hungarian, Arabic, English and French.
- Access list or member list import (excel or CSV)
- Blacklists and whitelists, members database,
- OpenPark server runs on a central management server to control OpenPark entry stations connected over TCP/IP and management interfaces and Point of Sale are provided as web based applications that can run on thin client or any Windows, Apple or even Android device.
- OpenPark Gateway license can run on OpenPark industrial appliance onsite for local operation in case of main server is not available.

ORDER INFORMATION

- [OP-EGC-02] OpenPark Gateway
- [OP-CTL] OpenPark controller License
- [OP-ACM] OpenPark Access Control Manager
- [OP-POS] OpenPark POS
- [OP-LPR] OpenPark LPR license
- [OP-VCA-1] OpenPark Make and Model
- [OP-VCA-2] OpenPark Diver face

CONTACTS

OpenPark Technologies Kft

HQ: Szechenyi Istvan ter 7-8. 1051
Budapest
Tel: +3618001909, +36702175650

Factory: Finn utca 2, 7630 ,Pécs,
Hungary

Hardware Specifications

CPU: Intel® Core™ i7-8565U Processor 14nm, 4 cores, 8 threads, up to 4.6 GHz TDP 15W

Memory: 128GB DDR4

Ethernet: 2 x GbE LAN Port

Graphic Support: Intel® UHD Graphics 620:
2 x HDMI 1.4 ports, supporting a maximum resolution of 4096x2160 @30Hz (2 independent display outputs)

Storage: 8GB SSD

Expansion Slots

1 x 2280 M.2 M-Key (PCIe x4, SATA 6Gb/s)

1 x 2230 M.2 E-Key (WiFi/BT)

1 x Vertical USB 3.2 Gen 1

Front I/O

2 x USB 3.2 Gen 2x1

1 x Power button with LED

2 x External Antenna Holes (Optional)

1 x HDD LED

1 x COM Port (RS-232/422/845)

1 x Headphone Jack

Rear I/O

2 x HDMI

2 x RJ45 LAN Ports

2 x USB 3.2 Gen 2x1

1 x Screw type DC Jack

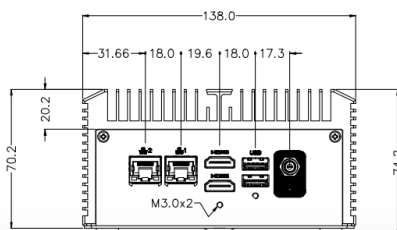
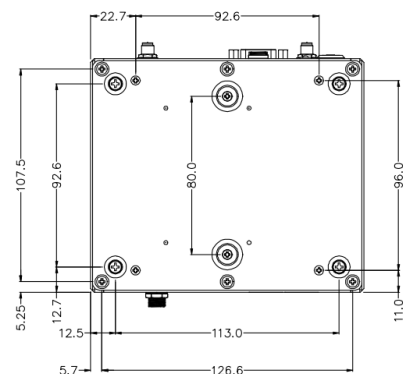
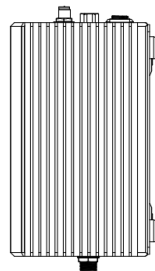
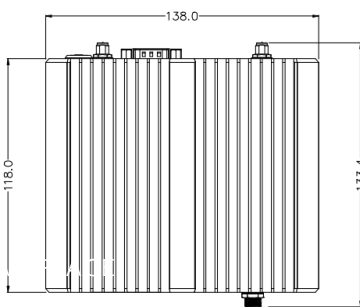
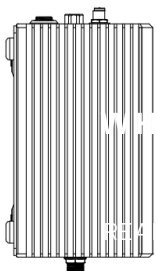
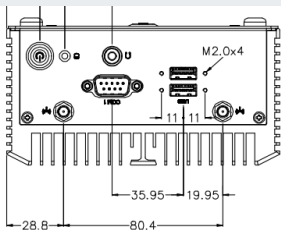
Power: +9V~36VDC (Adapter 19V/90W)

Temperature: -40°C to 85°C

Humidity: 0%-95% (non-condensing)

Vibration: IEC 60068-2-6, 2 G, Sine, 10 ~ 500 Hz, 1 Oct/min, 1 hr / Per Axis

Shock During Operation: IEC 60068-2-27, 50 G, half sine, 11 ms duration, With SSD



OpenPark Technologies Kft

HQ: Szechenyi Istvan ter 7-8. 1051 Budapest

Tel: +3618001909, +36702175650

Factory: Finn utca 2, 7630, Pécs, Hungary

www.openpark.hu